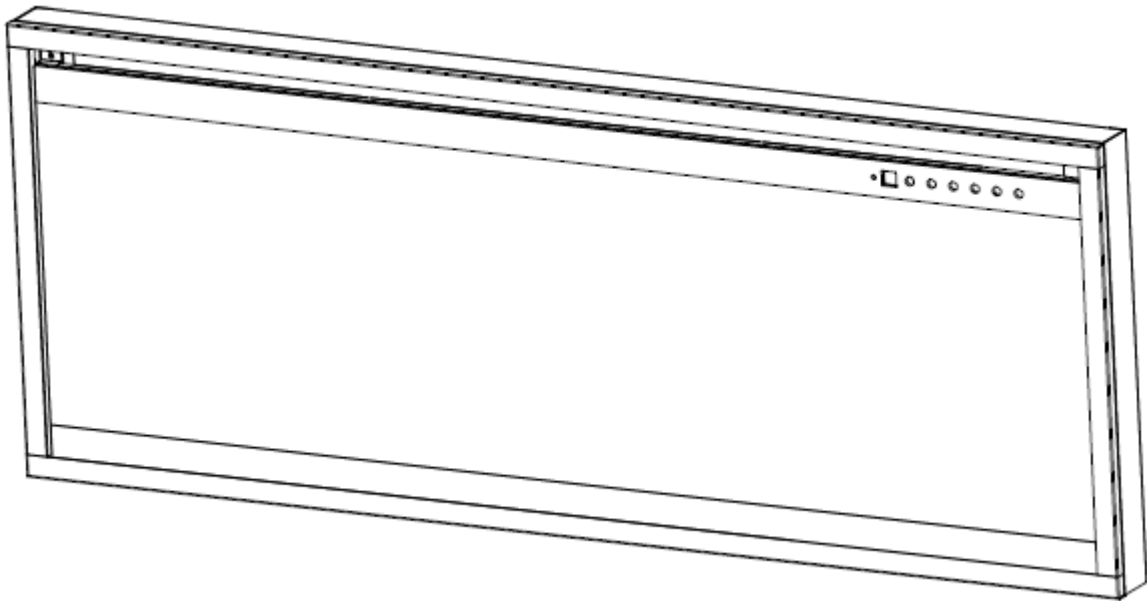


Sidleine® Elite PRO Sparer Kit

pn: 89049, 89050, 89051



**PREMIUM
ELECTRIC FIREPLACES
& TV LIFTS**

Exceeding Expectations

Table of Contents

Contents

About Your Sideline® Elite PRO Spacer Kit..... 3
 Sideline® Elite PRO Spacer Kit Compatibility Chart..... 3
Sideline® Elite PRO Spacer Kit Installation Hardware 4
Sideline® Elite PRO Spacer Kit Installation Instructions 5
Technical Support..... 7

About Your Sideline® Elite PRO Spacer Kit

Thank you for your purchase of the Sideline® Elite PRO Spacer Kit. The Sideline® Elite PRO Spacer Kit is designed for mounting the Sideline® Elite PRO Fireplaces into 2"x4" framed walls without expanding the wall depth.

Sideline® Elite PRO Spacer Kit Compatibility Chart

Fireplace Model Number	Sideline® Elite PRO Spacer Kit Model Number
80057 – Sideline® Elite PRO 50"	89049 – Sideline® Elite PRO 50" Spacer Kit
80058 – Sideline® Elite PRO 60"	89050 – Sideline® Elite PRO 60" Spacer Kit
80059 – Sideline® Elite PRO 72"	89051 – Sideline® Elite PRO 72" Spacer Kit

Sideline® Elite PRO Spacer Kit Installation Hardware

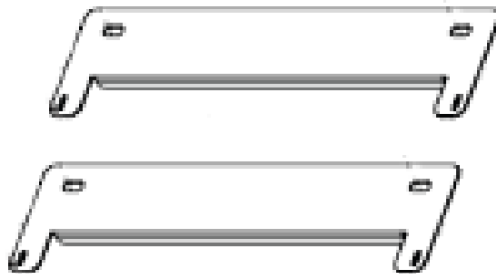
Sideline® Elite PRO Spacer Kit Components



Top Bracket - 1



Side Brackets - 2



Side Mounting Pieces - 2

Tools Needed

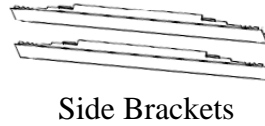
- Philips-head Screwdriver

Sideline® Elite PRO Spacer Kit Installation Instructions

Tools Needed:

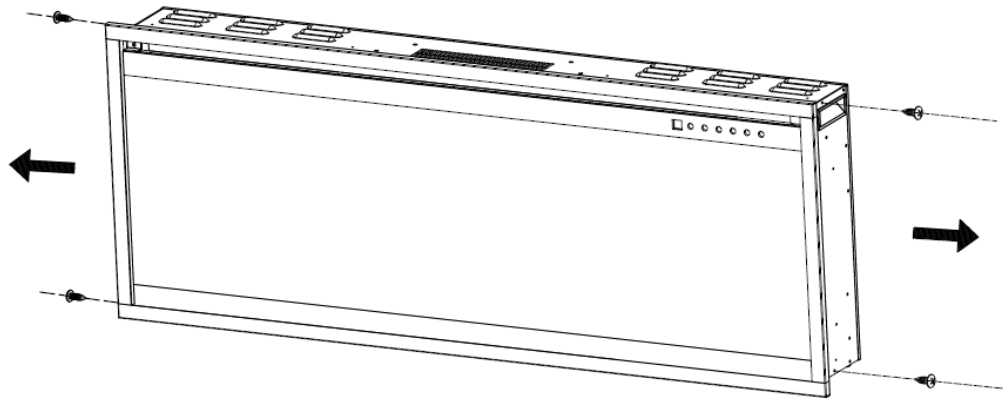
- Philips-head Screwdriver

Parts Needed:

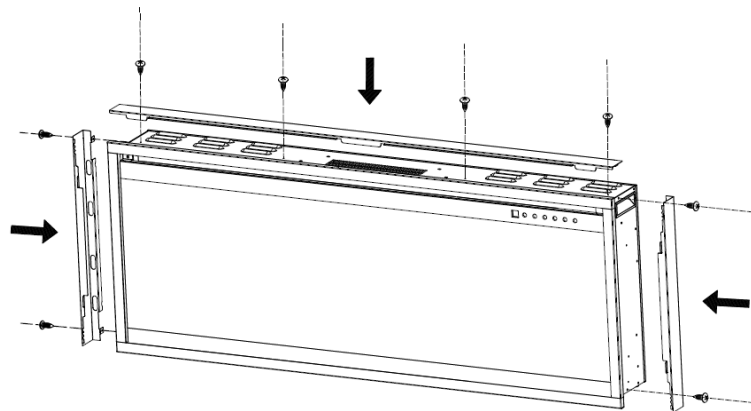


Instructions:

1. Remove the 4 screws shown on the left and right sides of the fireplace (2 each side – 1 top and 1 bottom) and save screws.

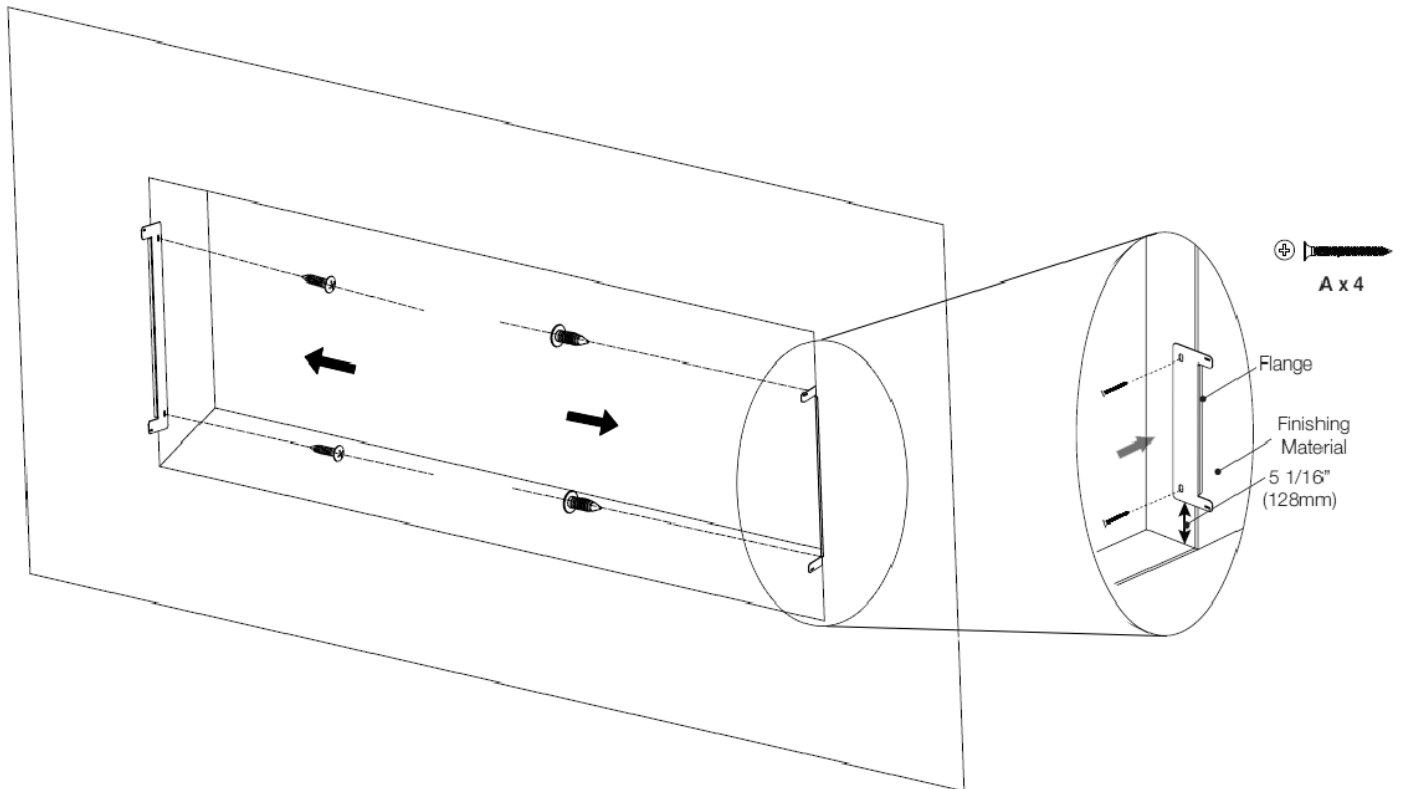


2. Use 2 screws to attach the 2 Side Brackets and 4 screws to mount the Top Bracket to the Sideline® Elite PRO Fireplace.

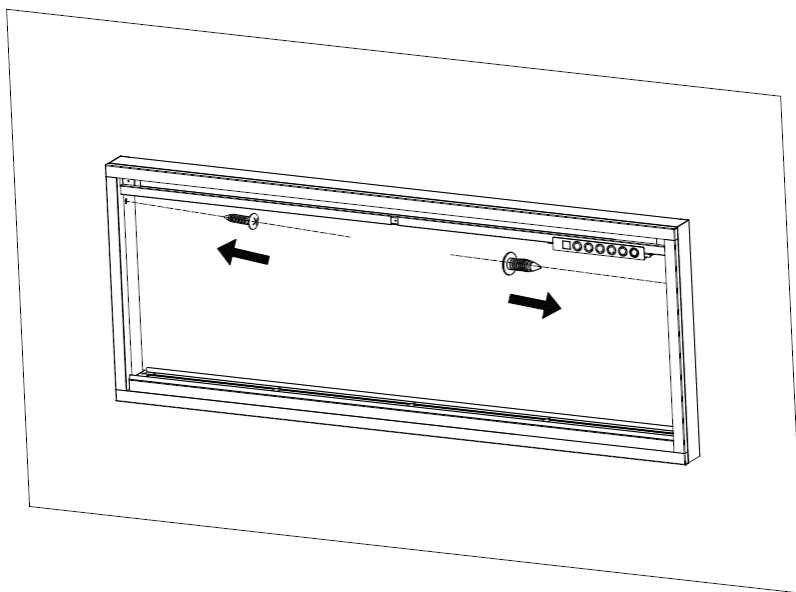


Sideline® Elite PRO Spacer Kit Installation Instructions – cont.

3. Install the 2 Side Mounting brackets to the framed opening in the wall. The bottom of the side mounting bracket should be 5 1/16” from the bottom of the framed opening. The flange of the side mounting bracket will line up with the finished material of the wall when installed.

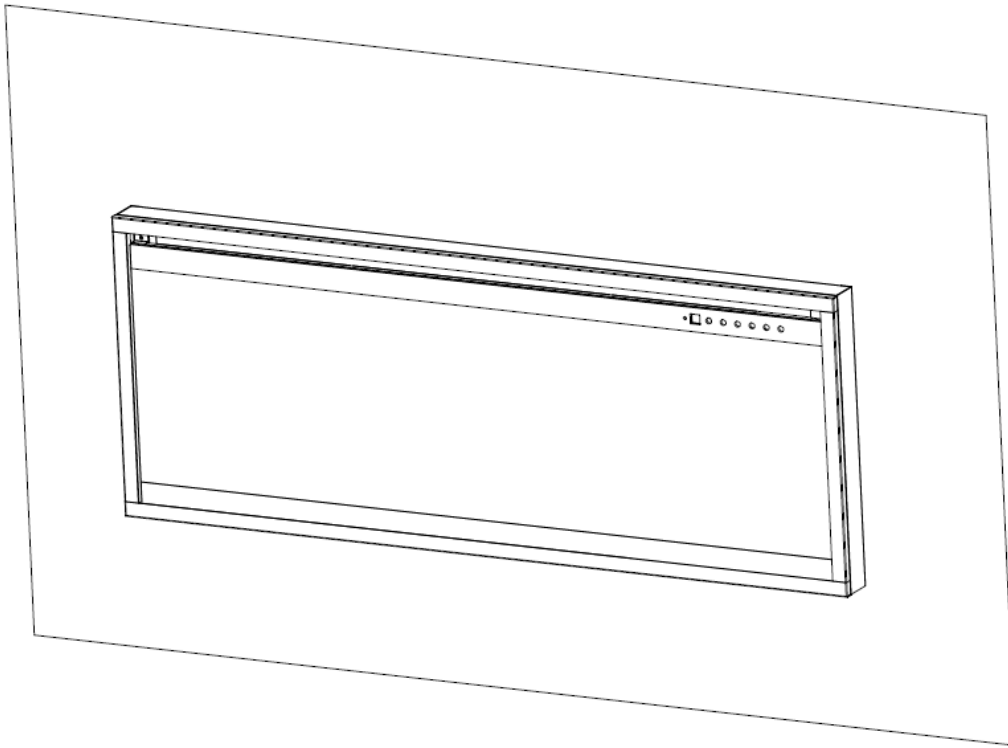


4. Once the side mounting brackets are installed, insert the fireplace into the wall opening and secure the fireplace through the side of the fireplace to the side mounting brackets.



Sideline® Elite PRO Spacer Kit Installation Instructions – cont.

5. Once secured, reinstall the fireplace glass panel. The fireplace is not installed in the wall.



Technical Support

Should you have any problems installing your Sideline® Elite PRO Spacer Kit, our technical support staff is here to help. Our technical support reps are available for phone assistance at 1-800-215-1990 Monday to Friday, from 8:00am to 5:00pm EST. We also can be reached via email at support@touchstonehomeproducts.com

STOP CALL US FIRST! STOP
DO NOT RETURN TO STORE.

For immediate help with assembly, product information,
or if your product arrives damaged, call our toll-free number at

800-215-1990

or email:

customerservice@thpus.com

Our staff is ready to provide assistance.