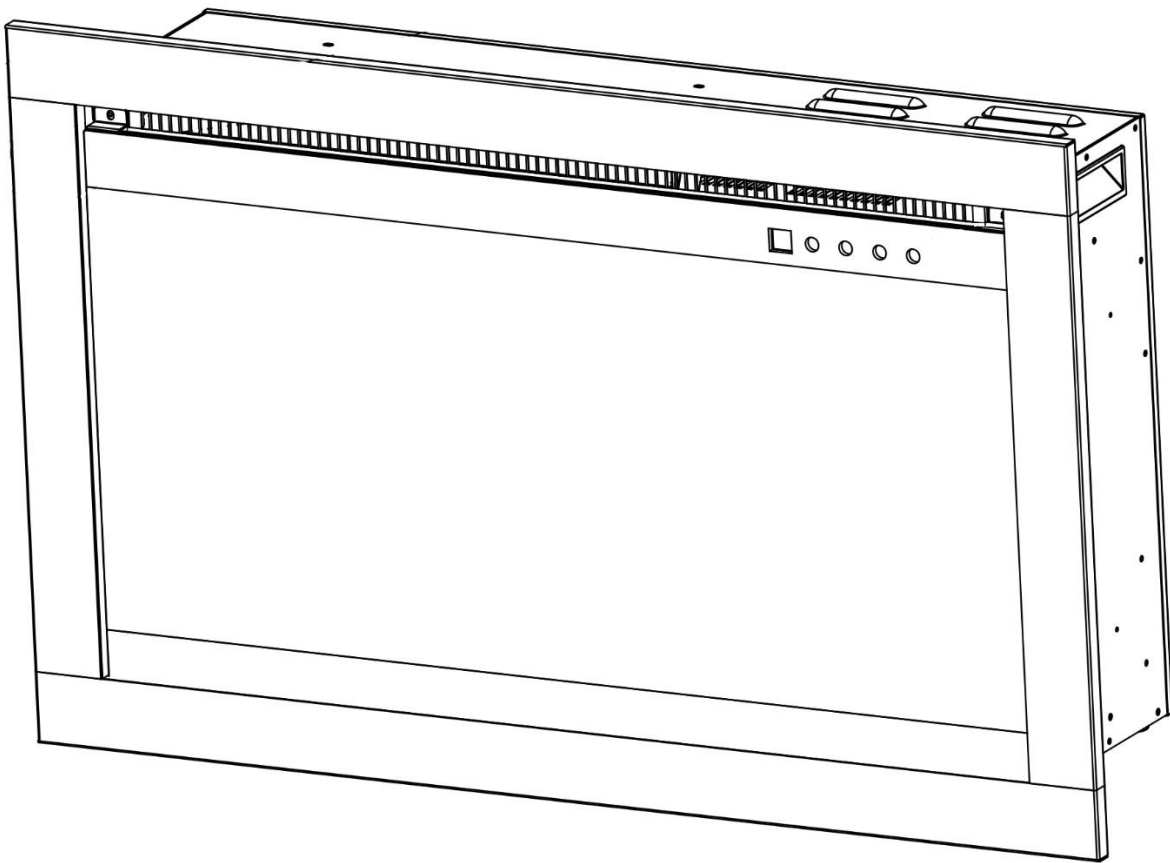


Fireplug™ PRO Trim Kit

pn: 89053, 89054, 89055, 89056, 89057
89058, 89059, 89060, 89061



**PREMIUM
ELECTRIC FIREPLACES
& TV LIFTS**

Exceeding Expectations

Table of Contents

Contents

About Your Fireplug™ PRO Trim Kit	4
Fireplug™ PRO Trim Kit Compatibility Chart	4
Fireplug™ PRO Trim Kit Installation Hardware	5
Fireplug™ PRO Trim Kit Installation Instructions	6
Technical Support	10

About Your Fireplug™ PRO Trim Kit

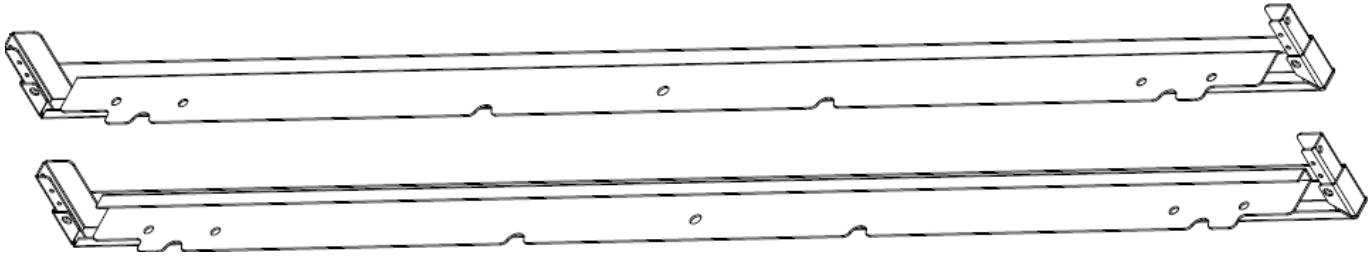
Thank you for your purchase of the Fireplug™ PRO Trim Kit. The Fireplug™ PRO Trim Kit is designed cover any remaining opening in your existing fireplace hearth after the Fireplug™ PRO electric fireplace is installed.

Fireplug™ PRO Trim Kit Compatibility Chart

Fireplace Model Number	Fireplug™ PRO Trim Kit Model Number
80070 – Fireplug™ PRO 24”	89053 - Fireplug™ PRO 24” – 1” Trim Kit
80070 – Fireplug™ PRO 24”	89054 - Fireplug™ PRO 24” – 2” Trim Kit
80070 – Fireplug™ PRO 24”	89055 - Fireplug™ PRO 24” – 3” Trim Kit
80071 – Fireplug™ PRO 29”	89056 - Fireplug™ PRO 29” – 1” Trim Kit
80071 – Fireplug™ PRO 29”	89057 - Fireplug™ PRO 29” – 2” Trim Kit
80071 – Fireplug™ PRO 29”	89058 - Fireplug™ PRO 29” – 3” Trim Kit
80072 – Fireplug™ PRO 33”	89059 - Fireplug™ PRO 33” – 1” Trim Kit
80072 – Fireplug™ PRO 33”	89060 - Fireplug™ PRO 33” – 2” Trim Kit
80072 – Fireplug™ PRO 33”	89061 - Fireplug™ PRO 33” – 3” Trim Kit

Fireplug™ PRO Trim Kit Installation Hardware

Fireplug™ PRO Trim Kit Components



Long Trim Pieces – 2 (1 top and 1 bottom)



Side Brackets – 2

Tools Needed

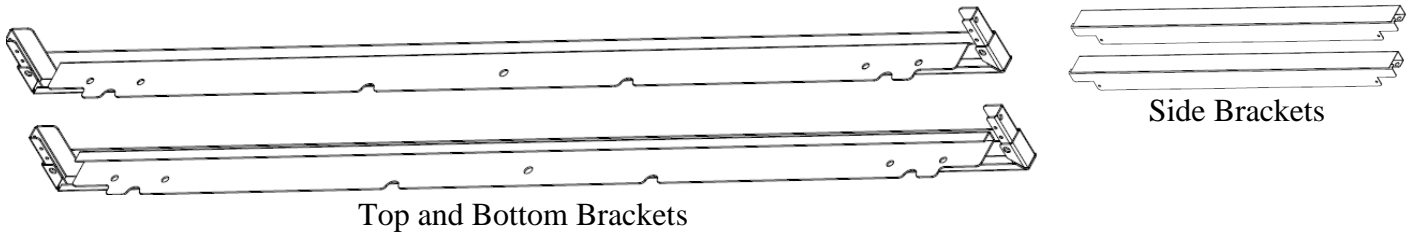
- Philips-head Screwdriver

Fireplug™ PRO Trim Kit Installation Instructions

Tools Needed:

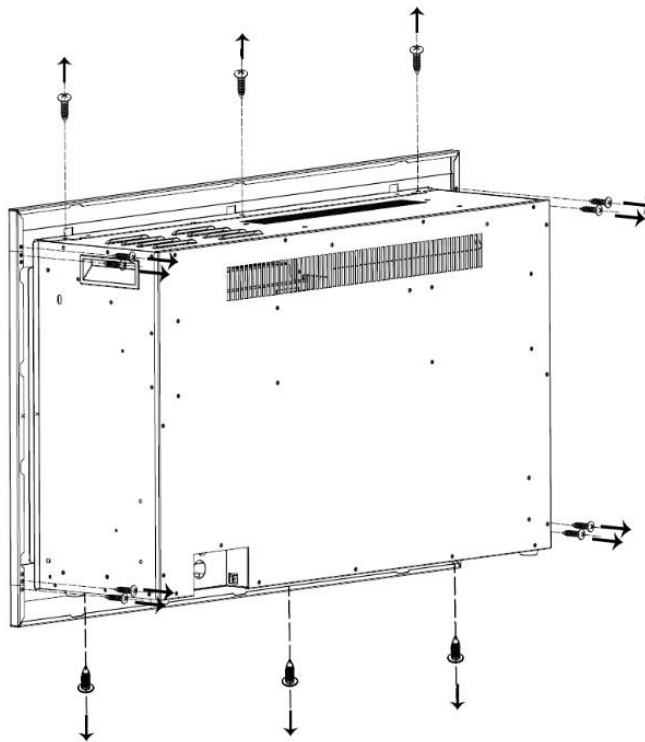
- Philips-head Screwdriver

Parts Needed:



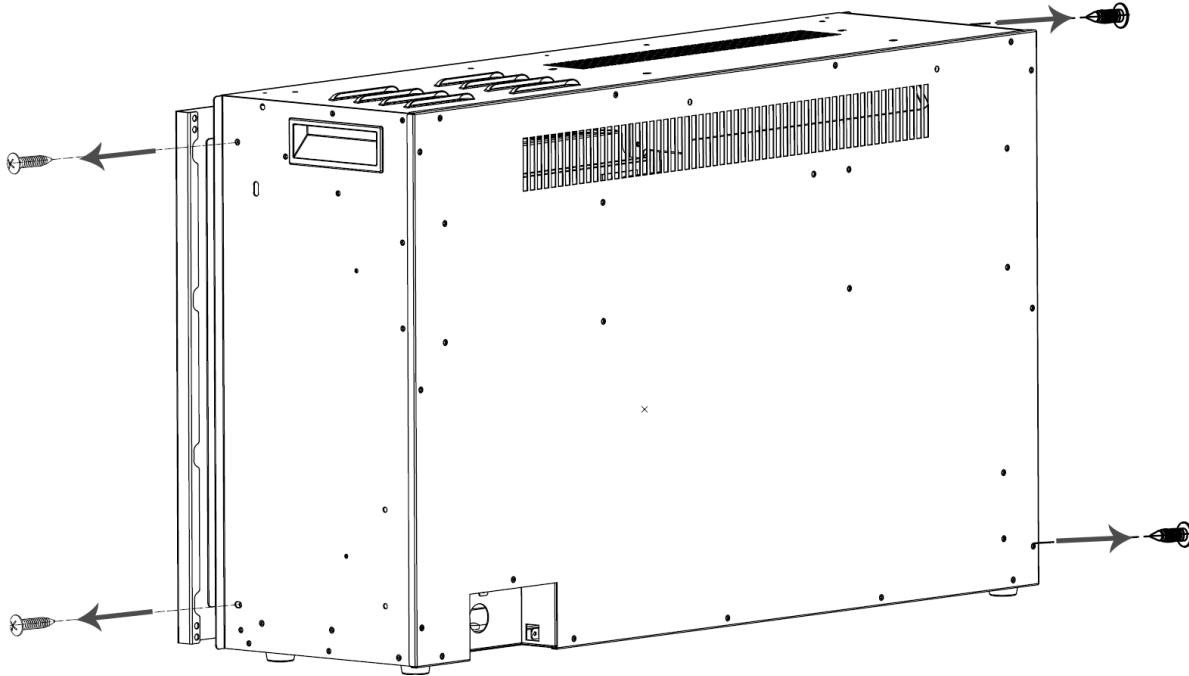
Removing Original Trim Pieces Instructions:

1. Remove the glass panel from your Fireplug™ PRO Electric Fireplace. Consult your fireplace user manual for glass panel removal instructions.
2. Remove the top and bottom trim pieces. To remove the original top and bottom trim pieces, remove the 3 screws that secure the top and bottom trim pieces to the fireplace (6 screws total). Remove the 2 screws on each corner of the trim where the top/bottom and side trim pieces meet (8 screws total). Save the screws! They will be needed to install the new trim pieces.

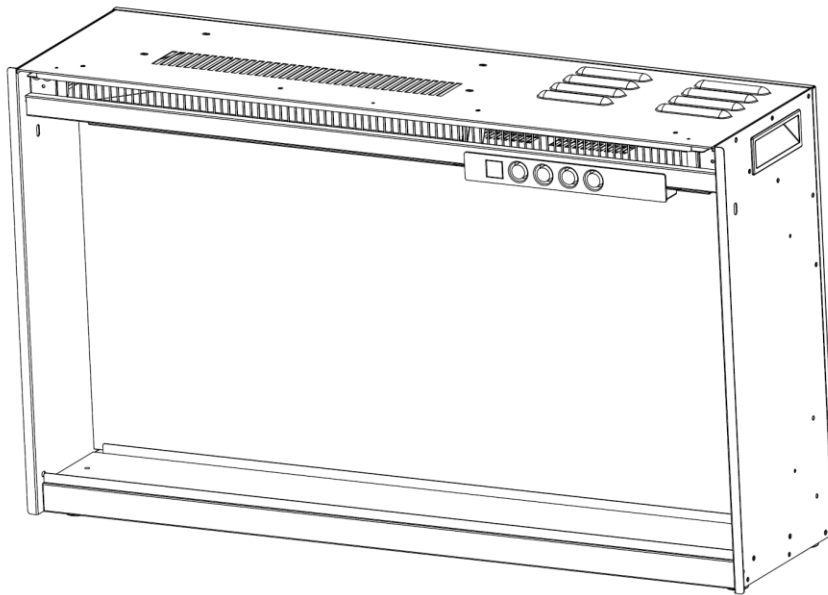


Fireplug™ PRO Trim Kit Installation Instructions – cont.

3. Remove the side trim pieces. To remove the side trim pieces, remove the 4 screws (2 on each side) that secure the side trim pieces to the fireplace.



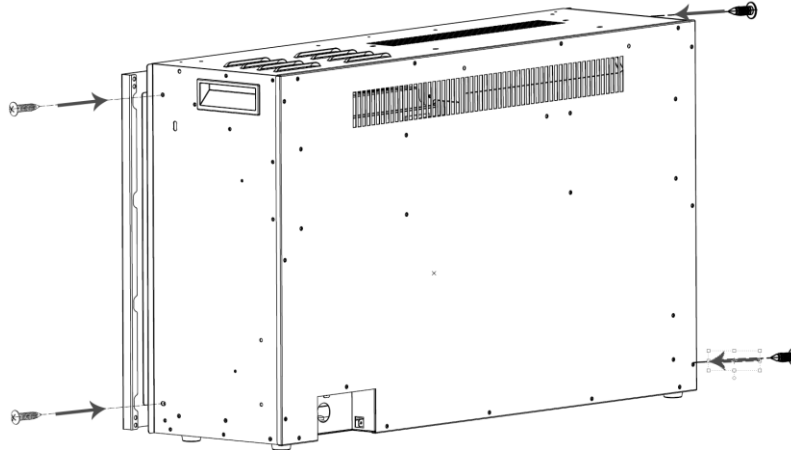
4. The original trim pieces have now been removed from the fireplace.



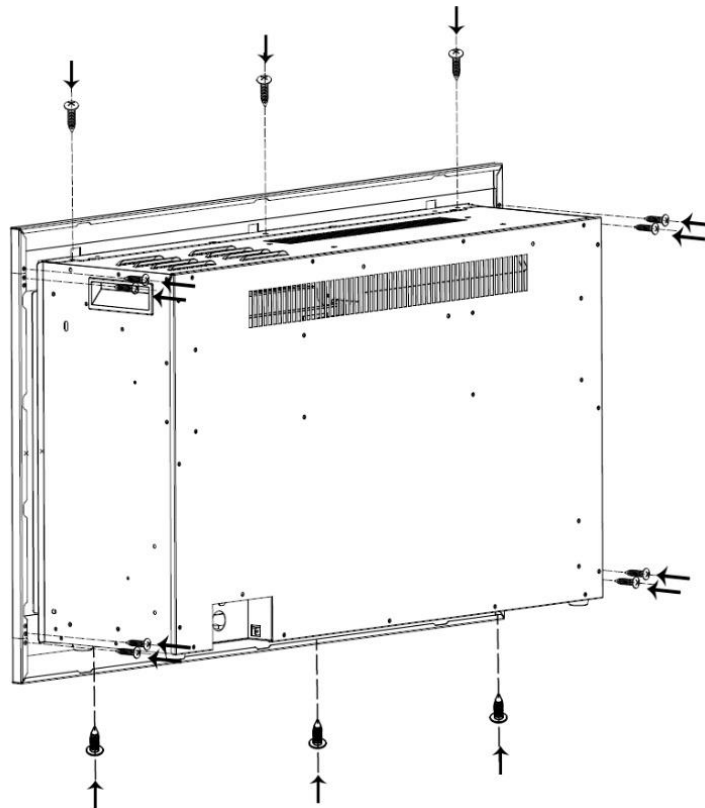
Fireplug™ PRO Trim Kit Installation Instructions – cont.

Installing 1", 2", or 4" Trim Kit Instructions:

1. Install the 1", 2", or 4" trim kit (depending on what you ordered). Use the screws removed in step 2 and 3 of Removing the Original Trim Pieces Instructions to secure the larger trim pieces to the fireplace.



Install Side Trim Pieces

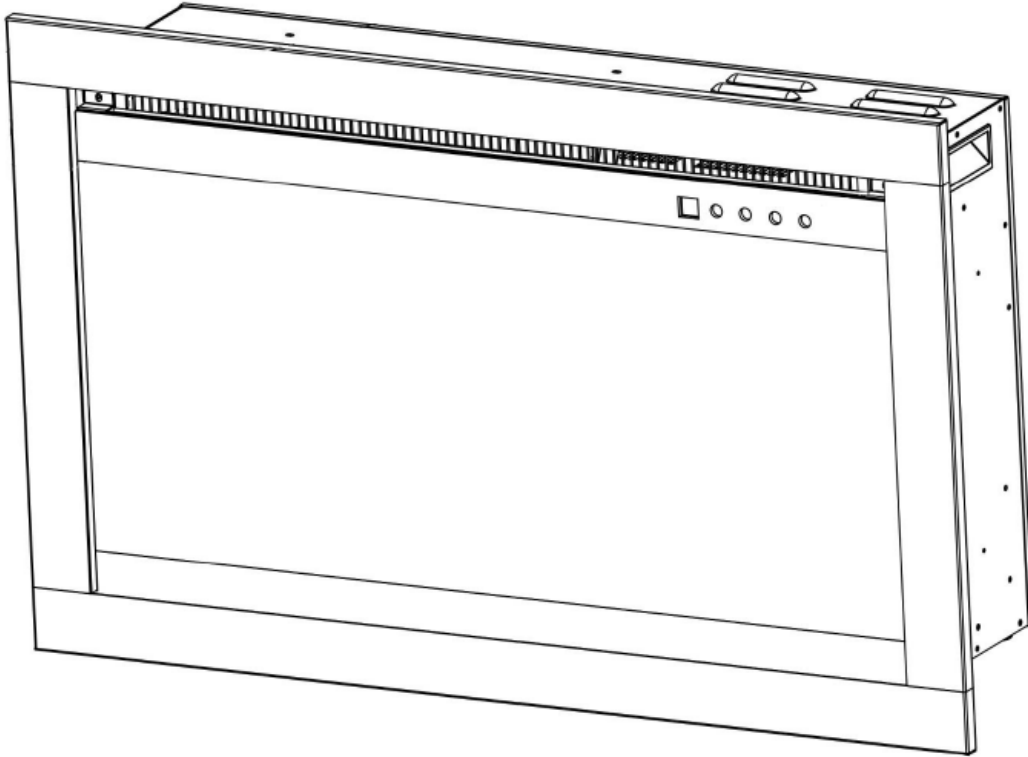


Install Top and Bottom Trim Pieces

Fireplug™ PRO Trim Kit Installation Instructions – cont.

Installing 1”, 2”, or 4” Trim Kit Instructions (cont):

2. Once the larger trim pieces are installed, reinstall the glass panel on your Fireplug™ PRO Electric Fireplace. Consult your fireplace user manual for glass panel installation instructions.



3. Your Fireplug™ PRO Electric Fireplace is now ready to be installed in your existing fireplace hearth.

Technical Support

Should you have any problems installing your Fireplug™ PRO Trim Kit, our technical support staff is here to help. Our technical support reps are available for phone assistance at 1-800-215-1990 Monday to Friday, from 8:00am to 5:00pm EST. We also can be reached via email at support@touchstonehomeproducts.com

STOP CALL US FIRST! STOP
DO NOT RETURN TO STORE.

For immediate help with assembly, product information,
or if your product arrives damaged, call our toll-free number at

800-215-1990

or email:

customerservice@thpus.com

Our staff is ready to provide assistance.