

Encase Shelf Mantel

Model # : 90002, 90003, 90004
90005, 90006, 90007

INSTALLATION MANUAL



WARNING

Read and understand this entire installation manual, including **all safety information**, before mounting the mantel on the wall. Failure to do so could cause the mantel to not be secured to the wall properly.

CAUTION

Keep this installation manual for future reference. If you sell or give this product away, **make sure this manual accompanies this product**.



**PREMIUM
ELECTRIC FIREPLACES
& TV LIFTS**

Exceeding Expectations

Table of Contents

Encase Shelf Mantel Dimensions..... 2

Unpacking Your Encase Shelf Mantel 3

Parts and Hardware 3

 Tools Required 3

 What’s Included in the Box..... 3

Installation 3

Choosing Installation Location 3

Installing Wood Mounting Bracket 4

 Tools and Parts Required 4

 Instructions..... 4

Installing Encase Shelf Mantel..... 5

 Parts Required..... 5

 Instructions..... 5

Warranty..... 6

IMPORTANT SAFETY INFORMATION WARNING!

- Make sure to use the appropriate tools listed in this manual for installing your Encase Shelf Mantel.
- The maximum weight limit for the Encase Shelf Mantel is 50lbs. Do not exceed the maximum weight listed.
- Wear proper protective gear when installing your Encase Shelf Mantel.
- Follow good construction practices when installing your Encase Shelf Mantel.
- Thoroughly read through the installation instructions to familiarize yourself with the process before beginning installation.
- Before installation acclimate the mantel to the room for at least 24 hours.

Encase Shelf Mantel Dimensions

SKU	Item Name	Color	Length	Height	Depth
90002	Natural Finish Pine Encase Shelf Mantel – 60”	Natural Pine	60”	4 ¾”	7 ¾”
90003	Natural Finish Pine Encase Shelf Mantel – 72”	Natural Pine	72”	4 ¾”	7 ¾”
90004	Dark Finish Pine Encase Shelf Mantel – 60”	Dark Pine	60”	4 ¾”	7 ¾”
90005	Dark Finish Pine Encase Shelf Mantel – 72”	Dark Pine	72”	4 ¾”	7 ¾”
90006	Unfinished Pine Encase Shelf Mantel – 60”	Unfinished	60”	4 ¾”	7 ¾”
90007	Unfinished Pine Encase Shelf Mantel – 72”	Unfinished	72”	4 ¾”	7 ¾”

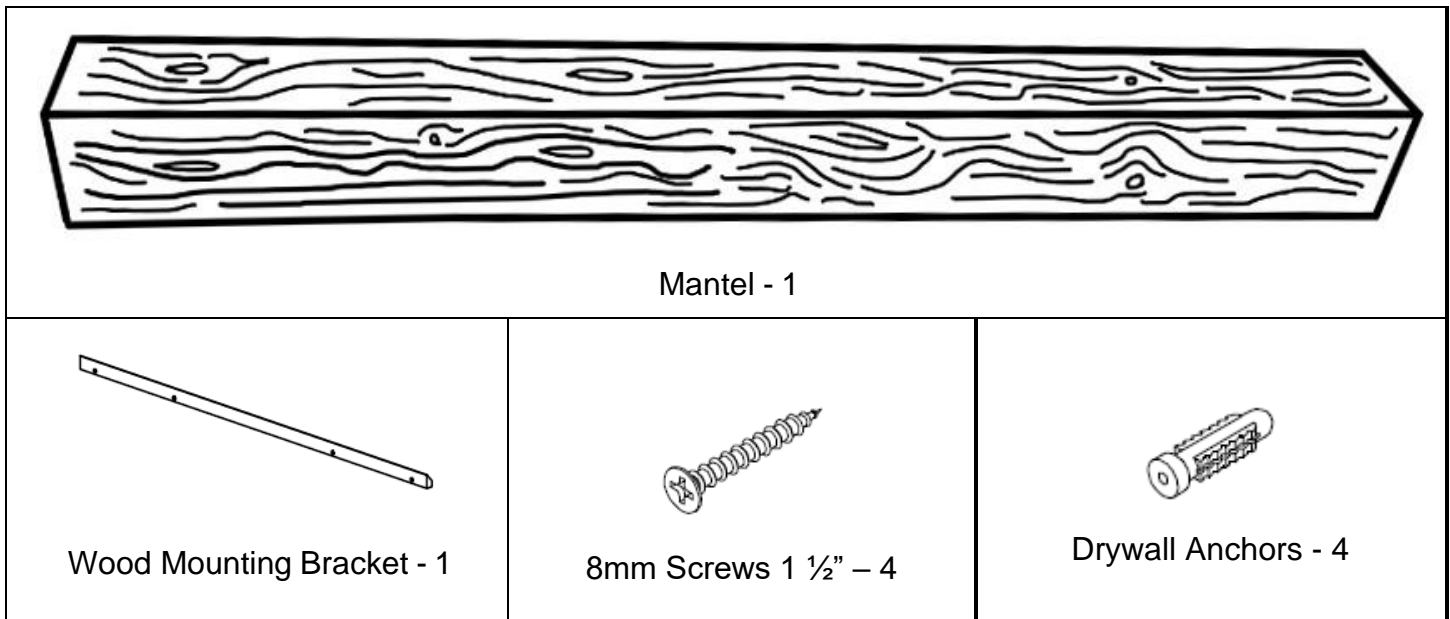
Unpacking Your Encase Shelf Mantel

Parts and Hardware

Tools Required

- Power Drill and Drill Bits
- Stud Finder

What's Included in the Box



****NOTE:** Longer screws may need to be used for securing the wood mounting bracket to your wall depending on the surface of your wall.

Installation

Choosing Installation Location

- If mounting above a Touchstone Home Products Electric Fireplace, measure wall location so that location for mounting the Encase Shelf Mantel meets the recommended clearances.
- Minimum clearances (measurements taken from front of glass panel):

Touchstone Wall Mounted Fireplace: 24" from top of fireplace to bottom of mantel

Touchstone Recessed Fireplace: 12" from top of fireplace to bottom of mantel




Installation – cont.

Installing Wood Mounting Bracket

Tools and Parts Required:

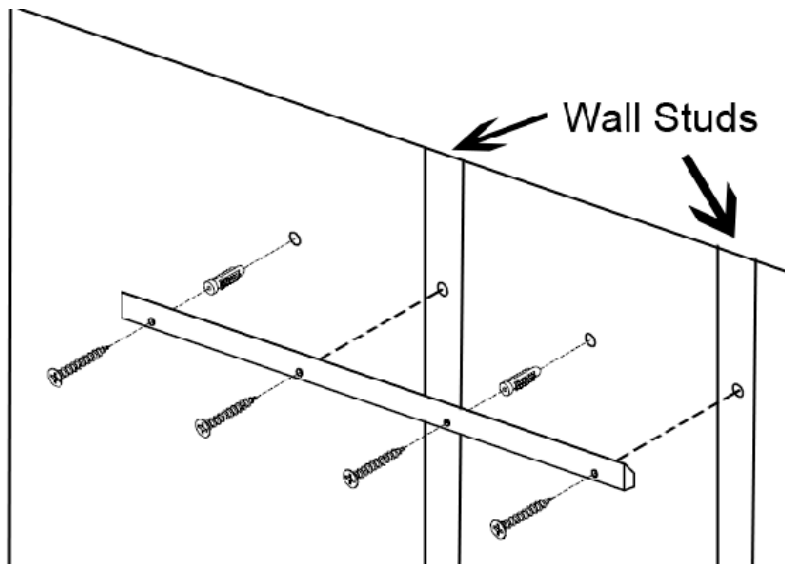
Tools Needed:

- Power drill and drill bits
- Stud Finder

 <p>Wood Mounting Bracket - 1</p>	 <p>8mm Screws 1 1/2" 4 – 60" mantels 5 – 72" mantels</p>	 <p>Drywall Anchors 4 – 60" mantels 5 – 72" mantels</p>
--	---	--

Instructions:

1. Using a stud finder, locate 2 framing studs in the wall in the area which you intend to mount the mantel. Mount the wood mounting bracket to at least 2 studs. If the holes in the wood mounting bracket do not line up with 2 framing studs, you can create a new mounting hole in the bracket using a drill. Use drywall anchors for the remaining mounting holes that do not match up with framing studs.

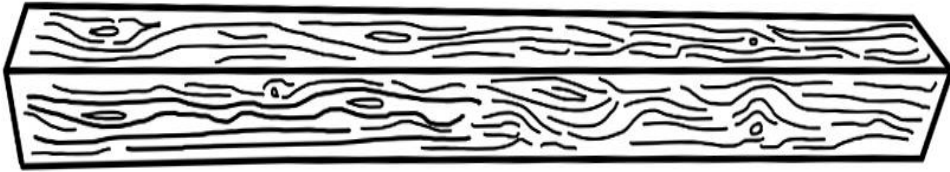


NOTE: If the holes in the wood mounting bracket do not line up with 2 framing studs, drill a new hole in the wood mounting bracket that lines up with the framing stud in your wall.

Installation – cont.

Installing Encase Shelf Mantel

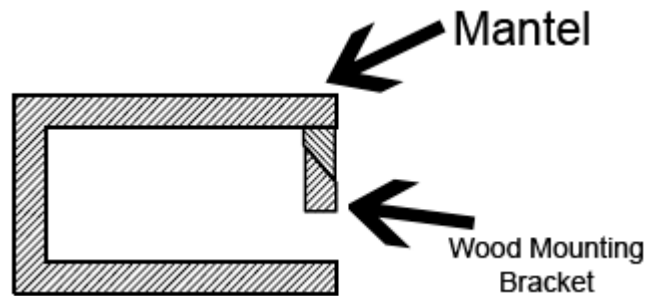
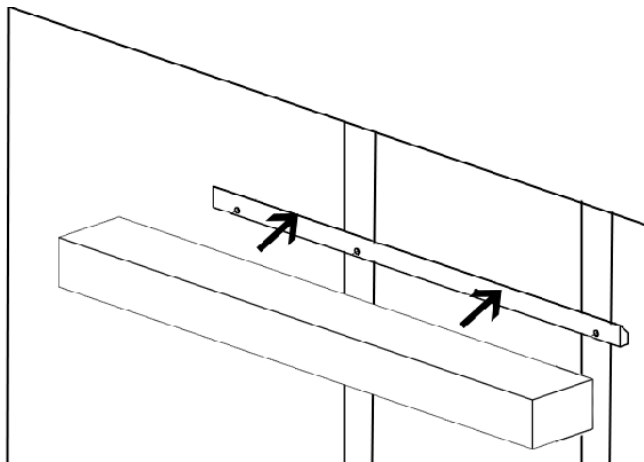
Parts Required:



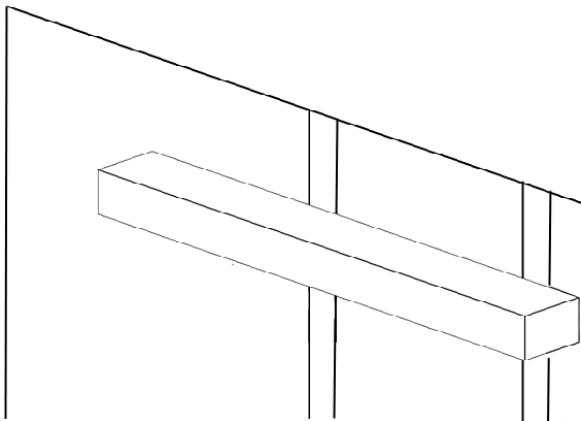
Encase Shelf Mantel - 1

Instructions:

1. Align and place the mantel on the wood mounting bracket. The mantel will lock into place on the mantel.



2. The Encase Shelf Mantel is now ready for use.



NOTE: The maximum weight capacity of the Encase Shelf Mantel is 50lbs.

Warranty

Touchstone Home Products®, Inc warrants our Encase Shelf Mantel to be free of defects in material and workmanship for one year from date of purchase. Touchstone will replace any Encase Shelf Mantel that is deemed defective or becomes defective during normal use within one year after the date of purchase.

Touchstone Home Products®, Inc does not warrant its products against damage caused by third parties.

Touchstone Home Products®, Inc does not cover damages caused by misuse, alterations, accident, lack of maintenance, abuse or neglect.

The warranty does not cover paint scratches, cosmetic blemishes, dents, corrosion, or other normal wear and tear associated with the fireplace. Damage to the Encase Shelf Mantel due to water, weather damage, long periods of dampness, condensation, damaging chemicals or cleaners are not covered under warranty.

Touchstone Home Products® will not be responsible for installation, labor, or any other expenses related to the reinstallation of a warranted part, and such expenses are not covered under warranty.

Extended warranty coverage for the fireplace is available by contacting Touchstone Home Products® directly at 1-800-215-1990.

 **CALL US FIRST!** 
DO NOT RETURN TO STORE.

For immediate help with assembly, product information,
or if your product arrives damaged, call our toll-free number at

800-215-1990

or email:

customerservice@thpus.com

Our staff is ready to provide assistance.